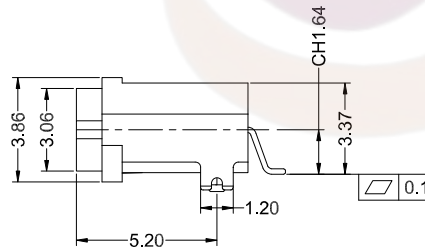
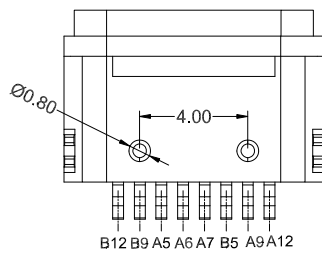
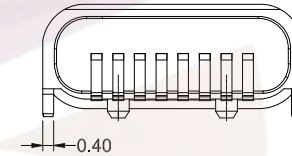
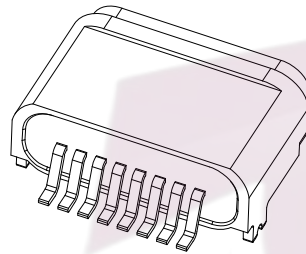
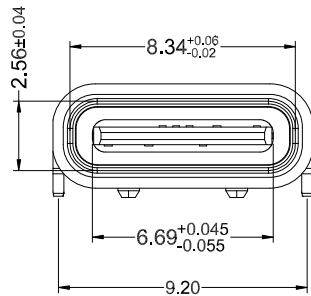
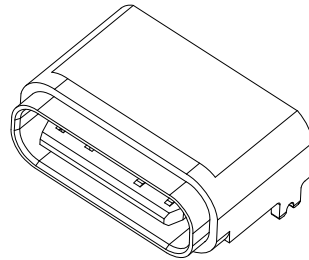
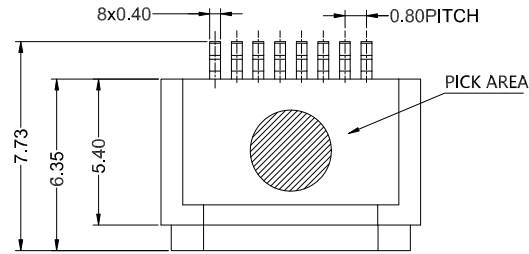


RoHS
Compliant

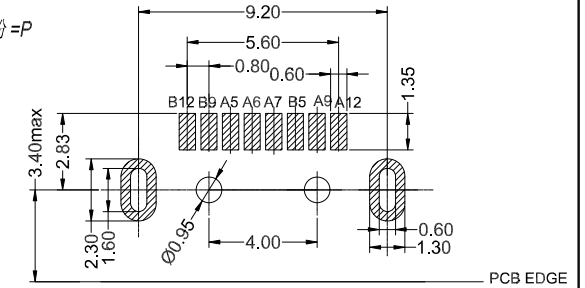


Ordering information:
TJ 13 08 LSP 10 0635 B 5
(1) (2)(3)(4)(5)(6) (7) (8)(9)

- (1): Manufacture rer TJ= TENGJUN
- (2): line numberr
- (3): Pin Number
- (4): H= 立式 L= 卧式 F= 沉板 C= 侧式
D= 插件 S= 贴板 W= 焊线
- (5) shapet: P= 平口, W= 舌片外露
- (6) 定位柱: 1= 带柱, 0= 无柱
1= 带弹, 0= 无弹
- (7) 0635=6.35mm (L/H)
- (8) 胶芯颜色: 黑=B, 红=R, 绿=G, 蓝=L, 黄=Y, 橙=O, 粉=P
- (9) Waterproof: 7=IPX7, 8=IPX8, 0=not waterproof
- (10) 板上中心高度 CH=**

SPECIFICATION:

- 1. CURRENT RATING: 3.0 A
- 2. VOLTAGE RATING: 5.0 V
- 3. VBUS & GND PINS AND OTHER PINS: 40mΩ/PIN MAX
SHIELD: 50mΩ/MAX
LLCR MAX. CHANGE OF ALL PINS: 10mΩ
- 4. INSULATION RESISTANCE: 100MΩ MIN
- 5. DIELECTRIC WITHSTAND VOLTAGE, AC 100V FOR 1MINUTE
- 6. INSERTION FORCE: 0.5-2.0kgf
- 7. UNMATING FORCE: 0.8-2.0kgf
- 8. DURABILITY: 10000 CYCLES
- 9. OPERATING TEMPERATURE: -25°C~+85°C
- 10. THE PEAK TEMPERATURE ON THE BOARD SHALL BE MAINTAINED FOR 10 SECONDS AT 260°C
- 11. WATERPROOF: IPX5.



RECOMMENDED PCB LAYOUT
TOLERANCE: ±0.05

A1	A2	A3	A4	A5	A6	A7	A8	A9	A10	A11	A12
				CC1	D+	D-		VBUS			GND
B12	B11	B10	B9	B8	B7	B6	B5	B4	B3	B2	B1
GND			VBUS					CC2			

1	SHELL	ZN ALLOY	Ni PLATED
2	MID PLATE	STAINLESS STEEL	SUS304 NO PLATED
3	HOUSING	HIGH TEMPERATURE PLASTIC	LCP BLACK UL94V-0
4	CONTACT	COPPER ALLOY(C5191)	Au PLATING ON CONTACT AREA
5	RING	SILICON	/
NO.	PARTS	MATERIAL	REMARKS

Guangdong Tengjun Electronic Technology Co., Ltd

Website:

<https://www.tengjunconn.com>

TEL:

0769-23323869



PART NAME

TYPE C 8PIN SMT 防水型 L6.35

PART NO.

TJ1308LSP100635B5

TOLERANCE UNLESS OTHERWISE SPECIFIED:
X ±0.2
X.X ±0.15
X.XX ±0.10
X.XXX ±0.050

DRAWING:

Li

DATE:

2022.09.18

SCALE

SHEET

REV: A0

CHECK:

Chen

DATE:

2022.09.18

1:1

1/2

SIZE: A4

APPROVAL:

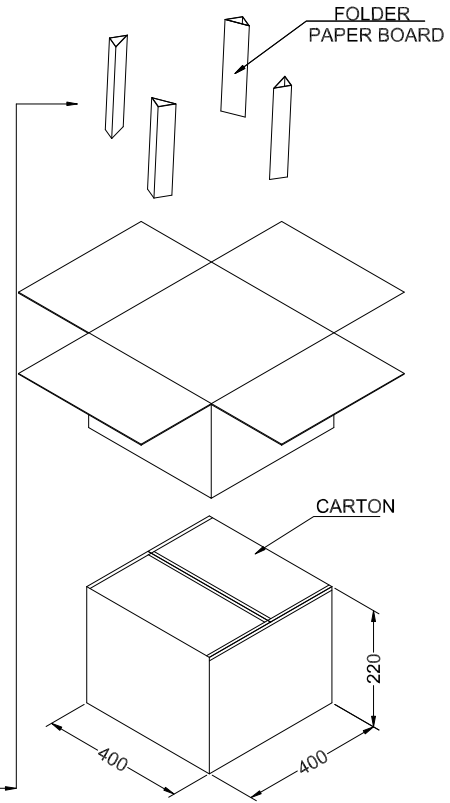
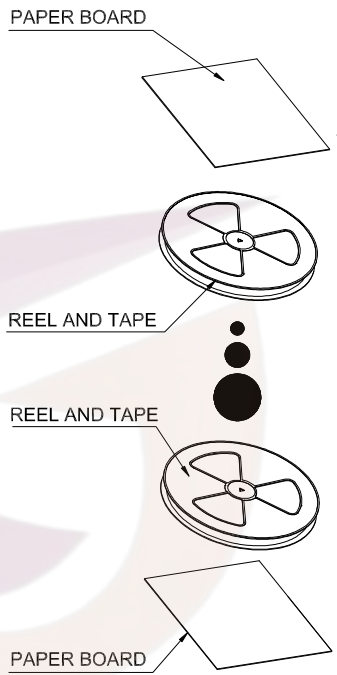
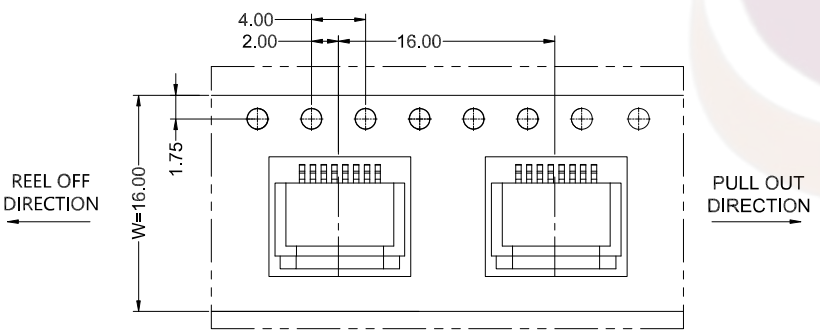
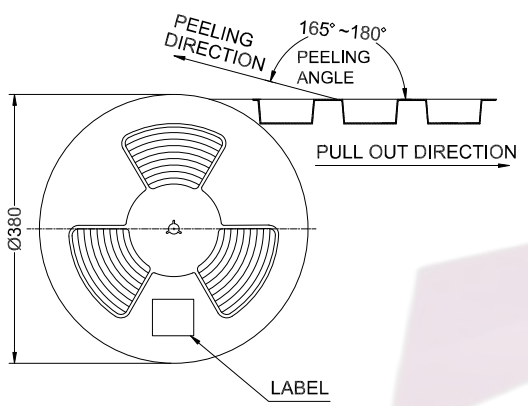
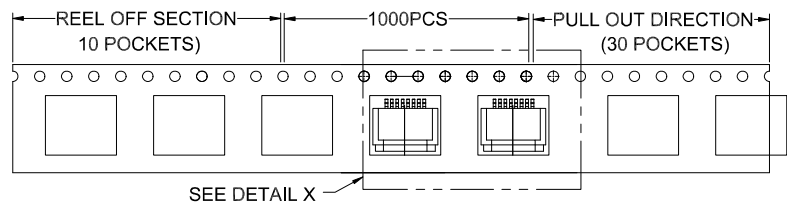
Yuan

DATE:

2022.09.18



RoHS
Compliant



	REEL	CARTON
CONNECTOR (PCS)	1000	10000

Guangdong Tengjun Electronic Technology Co., Ltd

Website:

<https://www.tengjunconn.com>

TEL:

0769-23323869



PART NAME	TYPE C 8PIN SMT 防水型包装图
PART NO.	TJ1308LSP100635B5

TOLERANCE UNLESS OTHERWISE SPECIFIED:
 X ±0.2
 X.X ±0.15
 X.XX ±0.10
 X.XXX ±0.050

DRAWING: Li
 CHECK: Chen
 APPROVAL: Yuan

DATE: 2022.09.18
 DATE: 2022.09.18
 DATE: 2022.09.18

SCALE: 1:1
 SHEET: 2/2
 REV: A0
 SIZE: A4