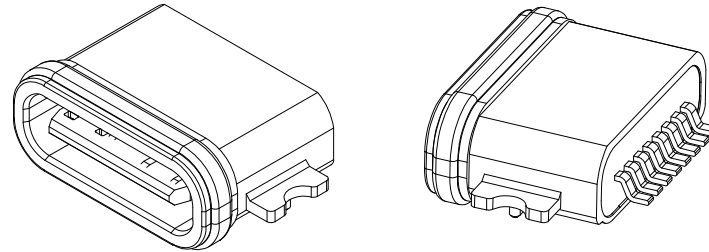
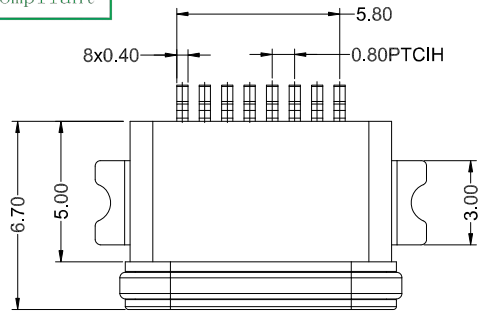
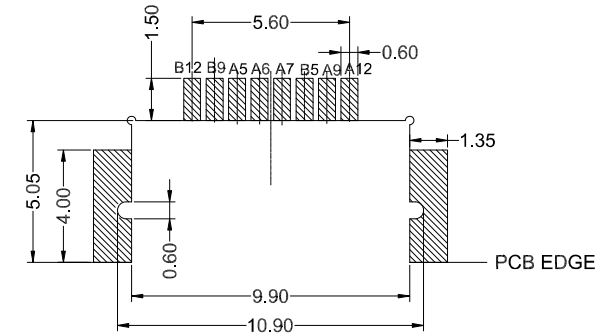
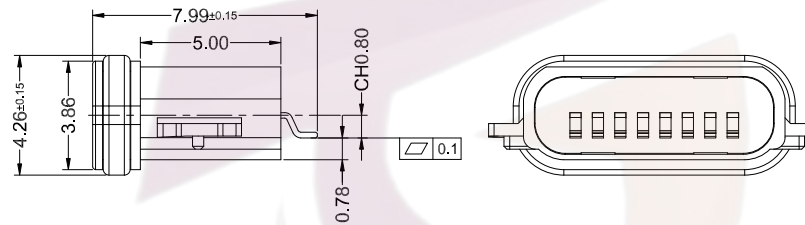
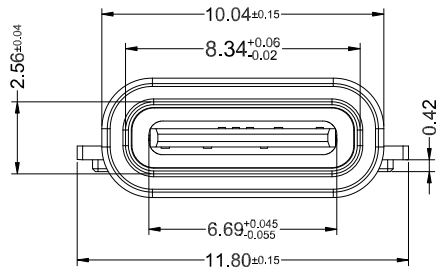


RoHS  
Compliant

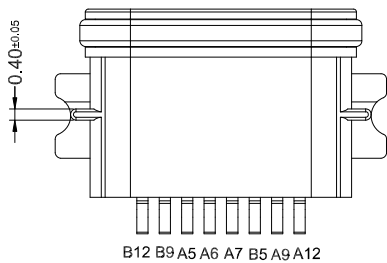


**SPECIFICATION:**

1. CURRENT RATING: 3.0 A
2. VOLTAGE RATING: 5.0 V
3. VBUS & GND PINS AND OTHER PINS: 40mΩ/PIN MAX  
SHIELD: 50mΩ/MAX  
LLCR MAX. CHANGE OF ALL PINS: 10mΩ
4. INSULATION RESISTANCE: 100MΩ MIN
5. DIELECTRIC WITHSTAND VOLTAGE, AC 100V FOR 1MINUTE
6. INSERTION FORCE: 0.5~2.0kgf
7. UNMATING FORCE: 0.8~2.0kgf
8. DURABILITY: 10000 CYCLES
9. OPERATING TEMPERATURE: -25°C~+85°C
10. THE PEAK TEMPERATURE ON THE BOARD SHALL BE MAINTAINED FOR 10 SECONDS AT 260°C
11. WATERPROOF: IP66.



RECOMMENDED PCB LAYOUT  
TOLERANCE: ±0.05



A1	A2	A3	A4	A5	A6	A7	A8	A9	A10	A11	A12
				CC1	D+	D-		VBUS			GND
B12	B11	B10	B9	B8	B7	B6	B5	B4	B3	B2	B1
GND			VBUS					CC2			

1	SHELL	ZN ALLOY	NI PLATED
2	MID PLATE	STAINLESS STEEL	SUS304 NO PLATED
3	HOUSING	HIGH TEMPERATURE PLASTIC	LCP BLACK UL94V-0
4	CONTACT	COPPER ALLOY(C5191)	Au PLATING ON CONTACT AREA
5	RING	SILICON	

NO.	PARTS	MATERIAL	REMARKS
-----	-------	----------	---------

Guangdong Tengjun Electronic Technology Co., Ltd

Website: <https://www.tengjunconn.com>

TEL: 0769-23323869



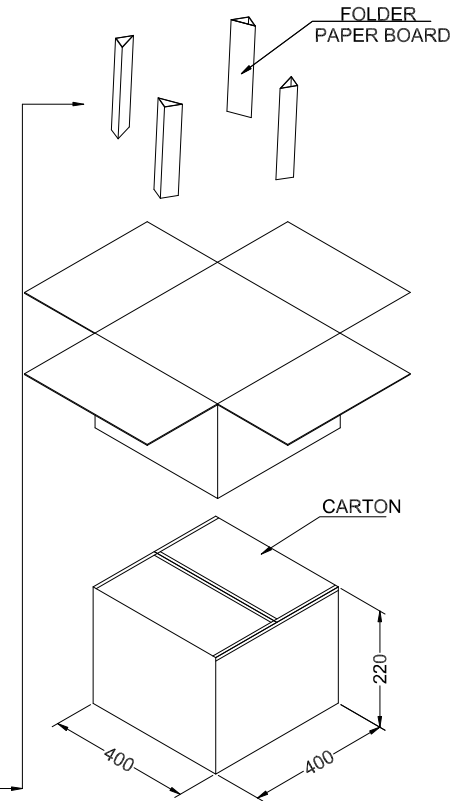
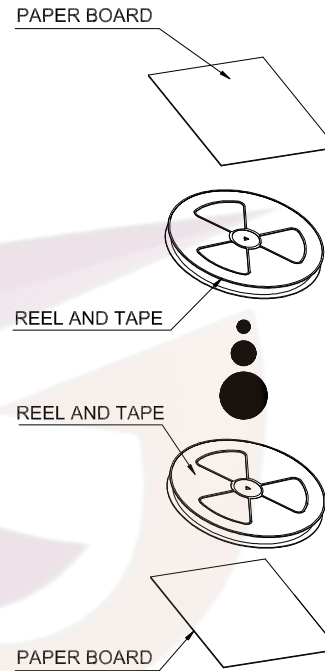
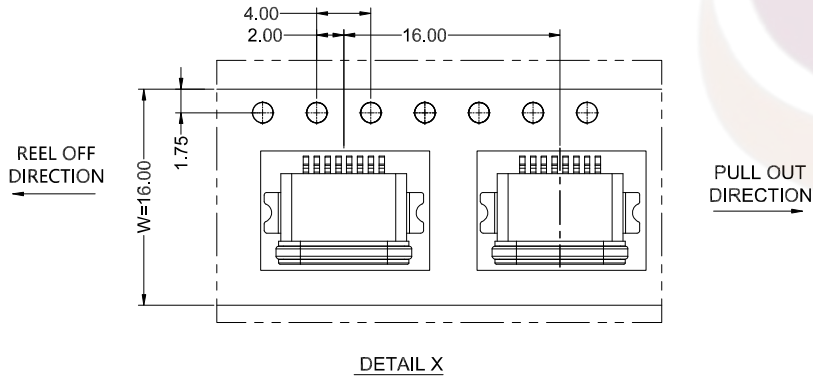
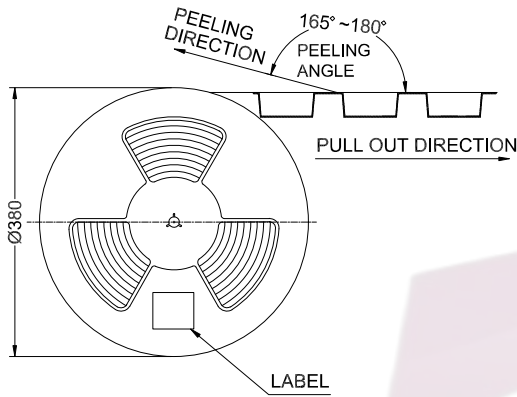
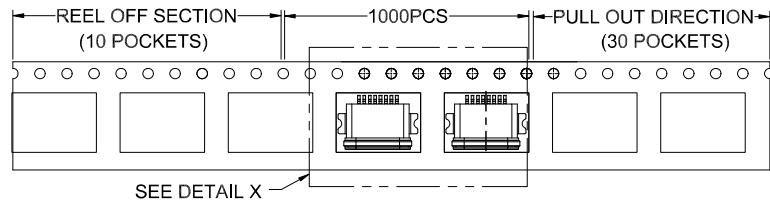
PART NAME 防水TYPE-C 8PIN 沉板0.8

PART NO. TJYLCB082767C08

TOLERANCE UNLESS OTHERWISE SPECIFIED:  
X ±0.2  
X.X ±0.15  
X.XX ±0.10  
X.XXX ±0.050

DRAWING:	Li	DATE:	2022.09.18	SCALE	SHEET	REV:	A0
CHECK:	Chen	DATE:	2022.09.18	1:1	1/2	SIZE:	A4
APPROVAL:	Yuan	DATE:	2022.09.18				

RoHS  
Compliant



	REEL	CARTON
CONNECTOR (PCS)	1000	10000

Guangdong Tengjun Electronic Technology Co., Ltd

Website:

<https://www.tengjunconn.com>

TEL:

0769-23323869



PART NAME

防水TYPE-C 8PIN 沉板0.8  
包装图

PART NO.

TJYLCB082767C08

TOLERANCE UNLESS OTHERWISE SPECIFIED:  
X ±0.2  
X.X ±0.15  
X.XX ±0.10  
X.XXX ±0.050

DRAWING:

Li

DATE:

2022.09.18

SCALE

SHEET

REV:A0

CHECK:

Chen

DATE:

2022.09.18

1:1

2/2

SIZE: A4

APPROVAL:

Yuan

DATE:

2022.09.18

