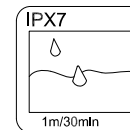


RoHS
Compliant

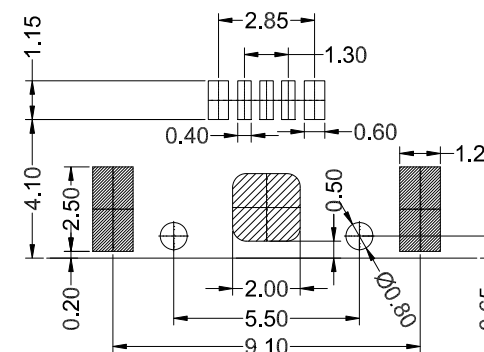
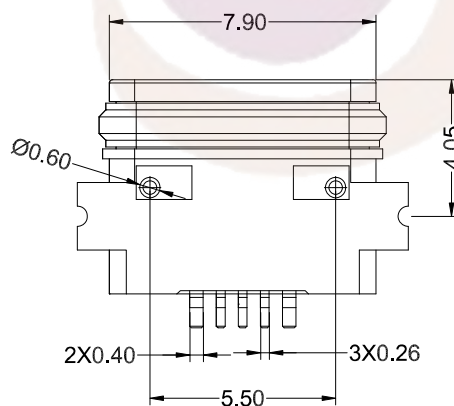
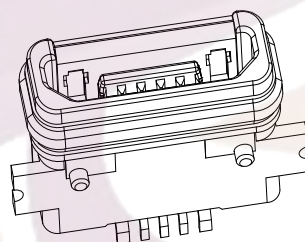
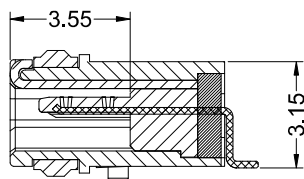
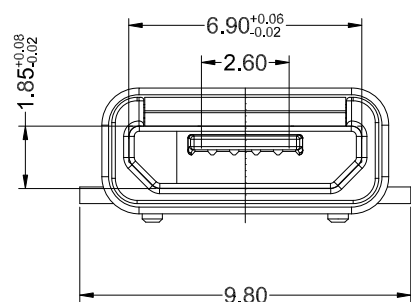
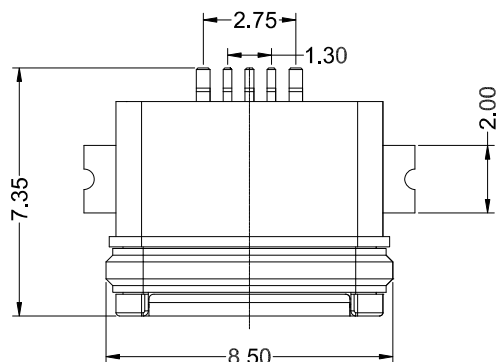
Ordering information:
TJ 13 05 LS P 10 0735 B 7
(1) (2) (3) (4) (5) (6) (7) (8) (9)

- (1): Manufacturer TJ= TENGJUN
(2): line number
(3): Pin Number
(4): H=立式 L=卧式 F=沉板 C=侧式
D=插件 S=贴板 W=焊线
(5) shape: P=平口, W=舌片外露
(6) 定位柱: 1=带柱, 0=无柱
I=带弹, 0=无弹
(7) 0735=7.35mm (L/H)
(8) 胶芯颜色: 黑=B, 红=R, 绿=G, 蓝=L, 黄=Y, 橙=O, 粉=P
(9) Waterproof : 7=IPX7, 8=IPX8, 0=not waterproof
(10) 板上中心高度CH=**



SPECIFICATION:

- CURRENT RATING:
1,5PIN 2.0A MAX/2,3,4PIN 1A MAX.
- DIELECTRIC WITHSTANDING VOLTAGE: 100 V(AC) FOR 1 MIN.
- CONTACT RESISTANCE: 30 mΩ MAX.
- INSULATION RESISTANCE: 100 MΩ MIN.
- TOTAL MATING FORCE: 3.57 KGF MAX.
- TOTAL UNMATING FORCE: 1.0 KGF MIN.
- TEMPERATURE RANGE: -30°C~80°C
- WATERPROOF: IPX 7.



RECOMMENDED PCB LAYOUT
TOLERANCE: ±0.05

1	SHELLA	ZN ALLOY	NI PLATED
2	SHELLB	STAINLESS STEEL	SUS304 NO PLATED
3	HOUSING	HIGH TEMPERATURE PLASTIC	LCP BLACK UL94V-0
4	CONTACT	COPPER ALLOY(C5191)	Au PLATING ON CONTACT AREA
5	RING	SILICON	
NO.	PARTS	MATERIAL	REMARKS

Guangdong Tengjun Electronic Technology Co., Ltd

Website:

<https://www.tengjunconn.com>

TEL:

0769-23323869



PART NAME

防水MICRO 5PIN母座
超薄 SMT 有柱

PART NO.

TJ1305LSP100735B7

TOLERANCE UNLESS OTHERWISE SPECIFIED:
X ±0.2
X.X ±0.15
X.XX ±0.10
X.XXX ±0.050

DRAWING:

Li

DATE:

2022.09.18

SCALE

SHEET

REV:A0

CHECK:

Chen

DATE:

2022.09.18

1:1

1/2

SIZE: A4

APPROVAL:

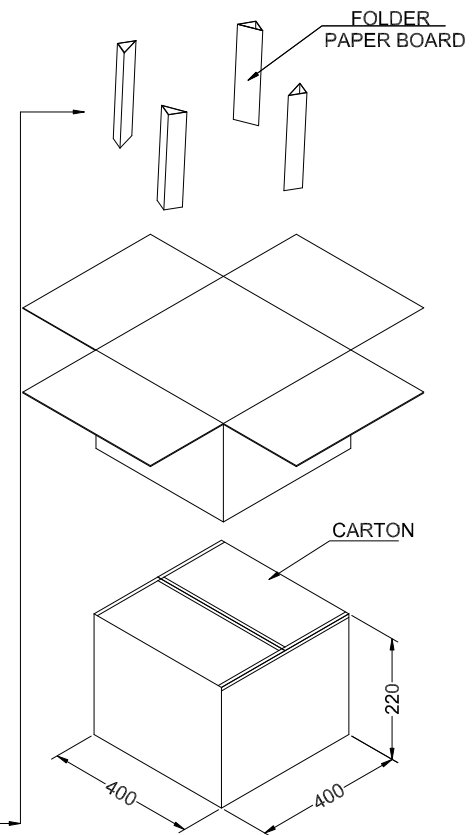
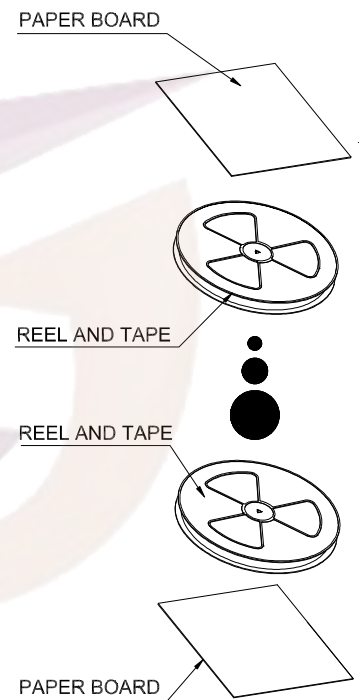
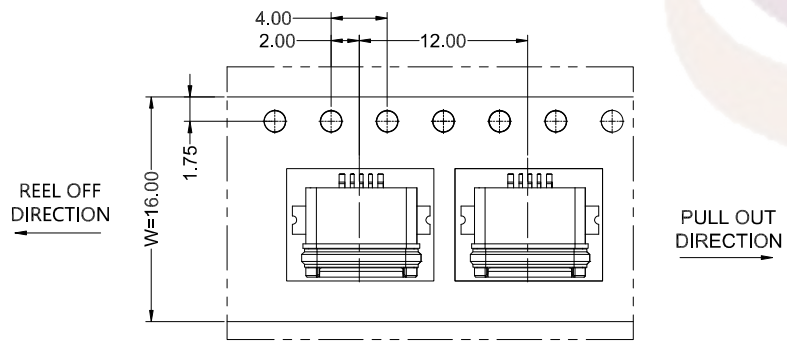
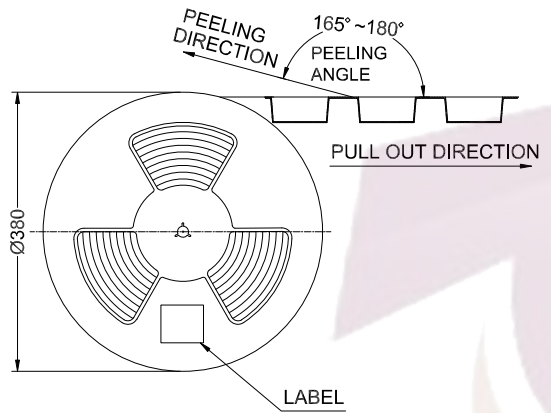
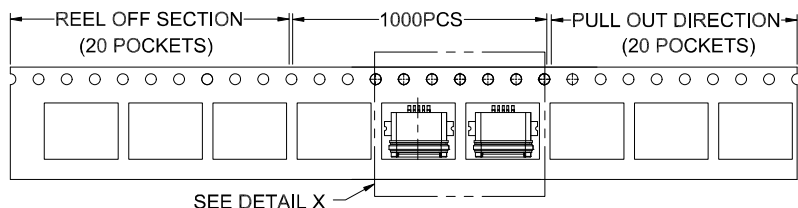
Yuan

DATE:

2022.09.18



RoHS
Compliant



	REEL	CARTON
CONNECTOR (PCS)	1000	10000

Guangdong Tengjun Electronic Technology Co., Ltd

Website:

<https://www.tengjunconn.com>

TEL:

0769-23323869



PART NAME 防水MICRO 5PIN母座
超薄 SMT 有柱-包装图

PART NO. TJ1305LSP100735B7

TOLERANCE UNLESS OTHERWISE SPECIFIED:
X ±0.2
X.X ±0.15
X.XX ±0.10
X.XXX ±0.050

DRAWING: Li
CHECK: Chen
APPROVAL: Yuan

DATE: 2022.09.18
DATE: 2022.09.18
DATE: 2022.09.18

SCALE 1:1

SHEET 2/2

REV:A0
SIZE: A4

