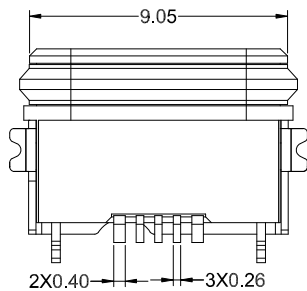
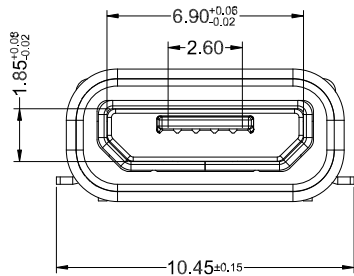
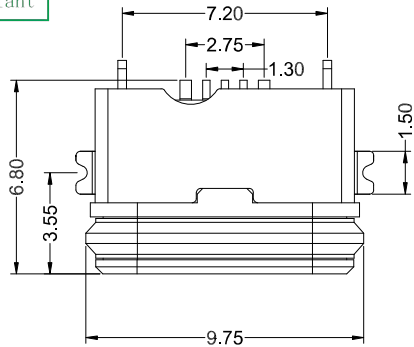
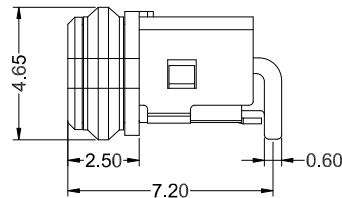
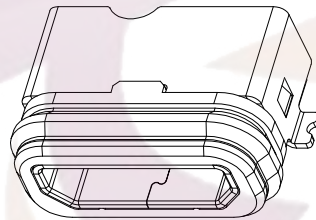


RoHS
Compliant



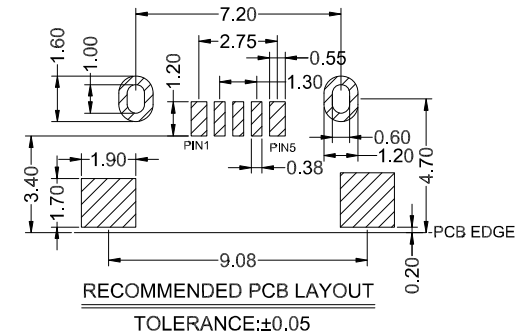
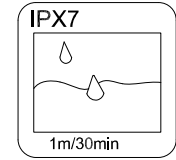
Ordering information:
TJ 13 05 LSP 00 0680 B 7
(1)(2)(3)(4)(5)(6) (7) (8)(9)

- (1) Manufacturer T.J= TENGJUN
- (2) line number
- (3) Pin Number
- (4) H=立式 L=卧式 F=沉板 C=侧式
D=插件 S=贴板 W=焊线
- (5) shapet: P=平口, W=舌片外露
- (6) 定位柱: 1=带柱, 0=无柱
1=带弹, 0=无弹
- (7) 0680=6.8mm (L/H)
- (8) 胶芯颜色: 黑=B, 红=R, 绿=G, 蓝=L, 黄=Y, 橙=O, 粉=P
- (9) Waterproof: 7=IPX7, 8=IPX8, 0=not waterproof
- (10) 板上中心高度 CH=**



SPECIFICATION:

- 1: CURRENT RATING:
1,5PIN 2.0A MAX/2,3,4PIN 1A MAX.
- 2: DIELECTRIC WITHSTANDING VOLTAGE: 100 V(AC) FOR 1 MIN.
- 3: CONTACT RESISTANCE: 30 mΩ MAX.
- 4: INSULATION RESISTANCE: 100 MΩ MIN.
- 5: TOTAL MATING FORCE: 3.57 KGF MAX.
- 6: TOTAL UNMATING FORCE: 1.0 KGF MIN.
- 7: TEMPERATURE RANGE: -30°C~80°C
- 8: WATERPROOF: IPX7.



1	INNER SHELL	STAINLESS STEEL	SUS304 NI PLATED
2	SHEATH	PA46	
3	HOUSING	HIGH TEMPERATURE PLASTIC	LCP BLACK UL94V-0
4	CONTACT	COPPER ALLOY(C5191)	Au PLATING ON CONTACT AREA
5	RING	SILICON	
NO.	PARTS	MATERIAL	REMARKS

Guangdong Tengjun Electronic Technology Co., Ltd

Website:

<https://www.tengjunconn.com>

TEL:

0769-23323869



PART NAME 防水MICRO 5PIN B型 前贴后插

PART NO. TJ1305LSP000680B7

TOLERANCE UNLESS OTHERWISE SPECIFIED:
X ±0.2
X.X ±0.15
X.XX ±0.10
X.XXX ±0.050

DRAWING:

Li

DATE:

2022.09.18

SCALE

SHEET

REV:A0

CHECK:

Chen

DATE:

2022.09.18

1:1

1/2

SIZE: A4

APPROVAL:

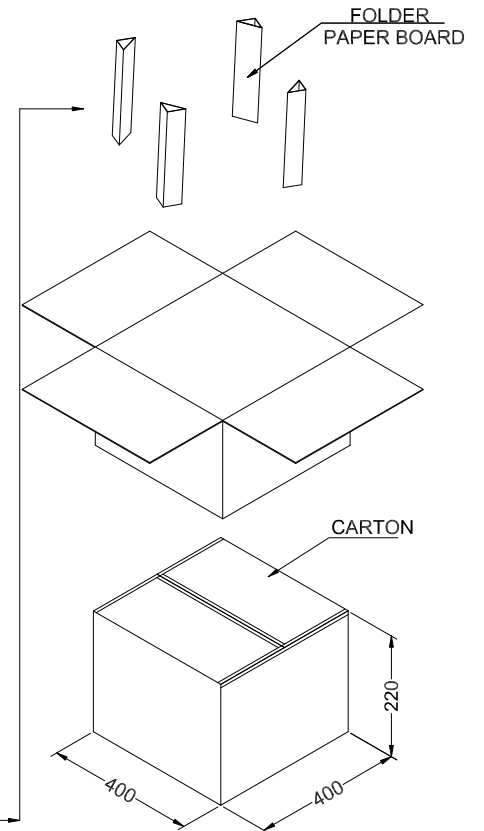
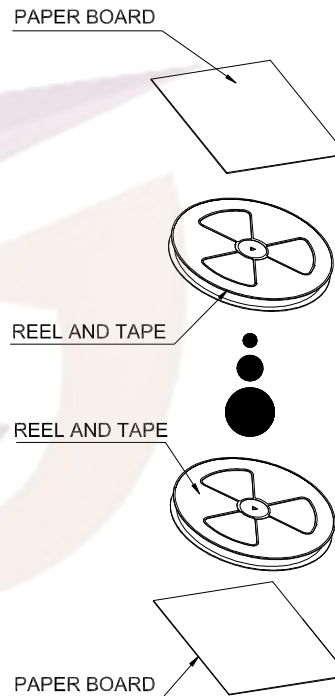
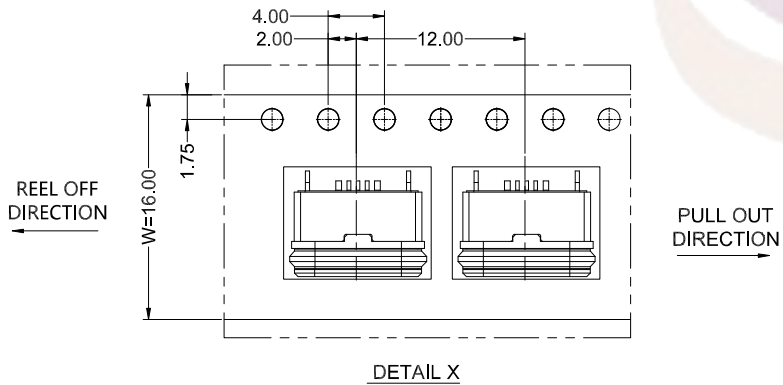
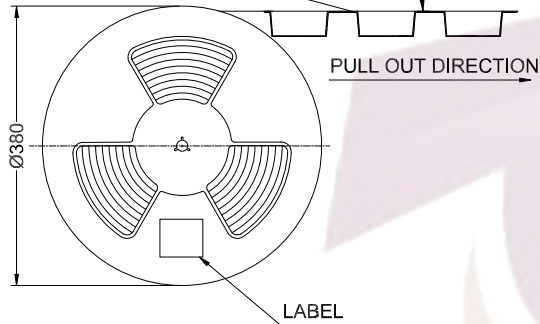
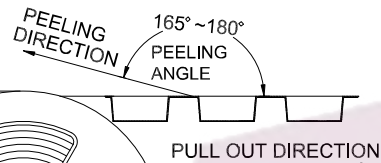
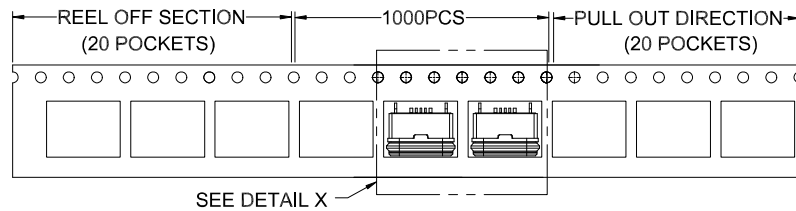
Yuan

DATE:

2022.09.18



RoHS
Compliant



	REEL	CARTON
CONNECTOR (PCS)	1000	10000

Guangdong Tengjun Electronic Technology Co., Ltd

Website:

<https://www.tengjunconn.com>

TEL:

0769-23323869



PART NAME 防水MICRO 5PIN B型 前贴后插-包装图

PART NO. TJ1305LSP000680B7

TOLERANCE UNLESS OTHERWISE SPECIFIED:
 X ±0.2
 X.X ±0.15
 X.XX ±0.10
 X.XXX ±0.050

DRAWING:

Li

DATE:

2022.09.18

SCALE

SHEET

REV:A0

CHECK:

Chen

DATE:

2022.09.18

1:1

2/2

SIZE: A4

APPROVAL:

Yuan

DATE:

2022.09.18

